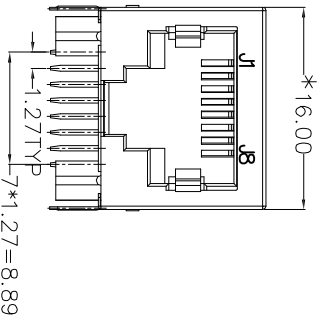
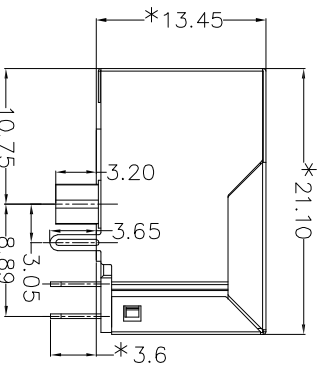


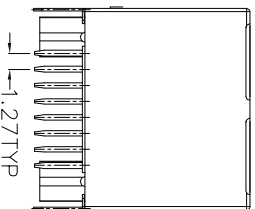
LEFT SIDE VIEW



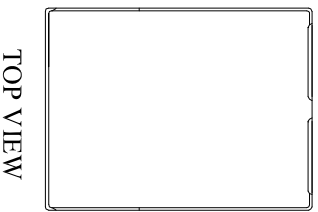
FRONT VIEW



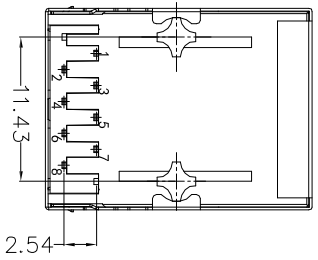
RIGHT SIDE VIEW



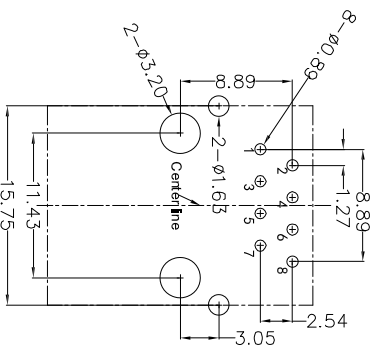
BACK VIEW



TOP VIEW



BOTTOM VIEW



RECOMMENDED PCB LAYOUT  
VIEW FROM COMPONENT SIDE

**MATERIAL:**

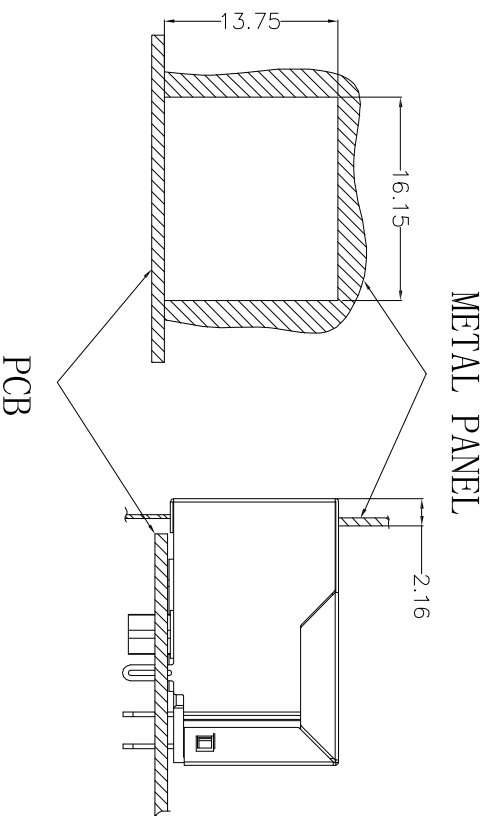
HOUSING: PBT, UL94V-0, BLACK.  
 TERMINALS BRACKET: PBT, UL94V-0, BLACK  
 SHIELD: C2680, T=0.20MM, NICKEL PLATING ON ALL AREA  
 TERMINAL: PHOSPHOR BRONZE C5210, T=0.35MM,  
 6U" GOLD PLATING ON CONTACT AREA

**MECHANICAL:**

DURABILITY: 750 CYCLES MIN.  
 MATING FORCE: 23N MAX  
 OPERATING TEMPERATURE: -40°C~+85°C.  
 STORAGE TEMPERATURE: -40°C~+85°C.  
 ALL CRITICAL DIMENSIONS WITH "\*"

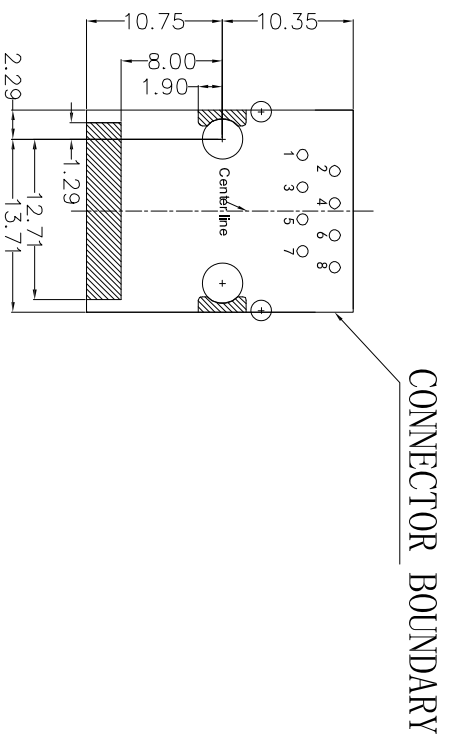
APPROVED:	DATE:	深圳市灿科盟实业有限公司 CHANKLEMENT INDUSTRYCO., LTD	
CHECKED:	DATE:		
DRAWN:	DATE:	TITLE: 百米网口 RJ45-10P/8C TAB-DOWN H=21.1 无灯 无弹 带滤波器 十字脚	
L. YAN	2020-08-10	PART. NO.	R-RJ45R08P-D007
		UNIT	mm
		SCALE	Free
		FILE NO.	Ckmtw-RJ45-0267
		REV.	A0
			KYD0

RECOMMENDED PANEL CUTOUT (REFERENCE ONLY) :




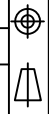
UNIT : MM / INCH  
 TOLERANCES :  $\pm 0.10$  /  $0.004$   
 REFERENCE ONLY

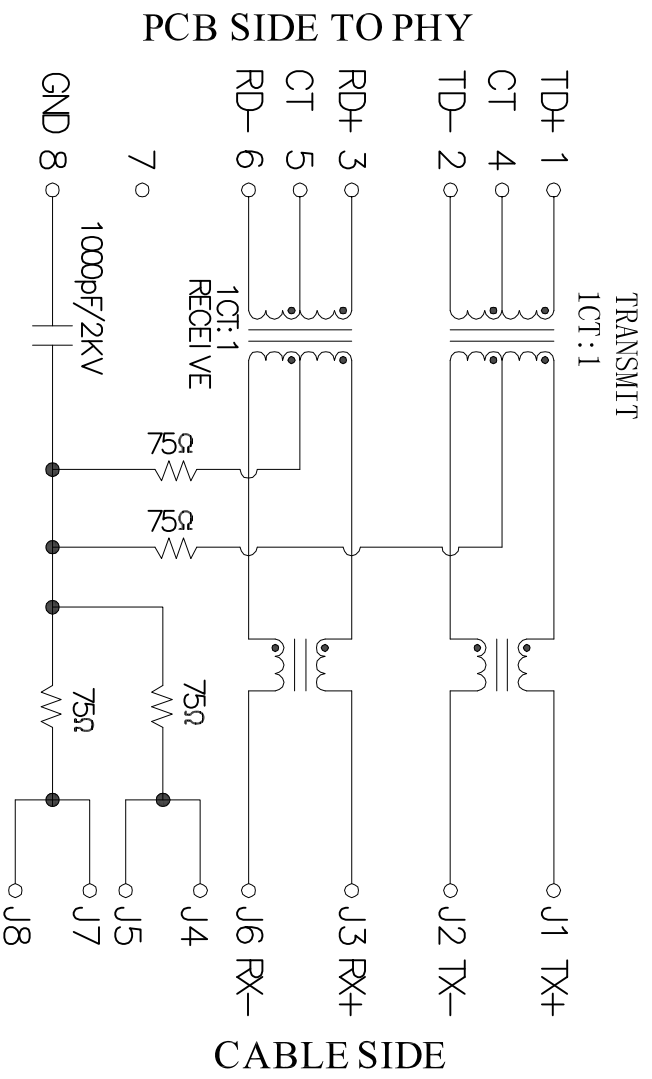
KEEP-OUT AREA (COMPONENT SIDE VIEW) :



PLUG-IN SIDE

UNIT : MM / INCH  
 TOLERANCES :  $\pm 0.10$  /  $0.004$

APPROVED:	DATE:	 深圳市灿科盟实业有限公司 CHANKLEMENT INDUSTRYCO., LTD			
CHECKED:	DATE:	TITLE: 百米网口 RJ45-10P/8C TAB-DOWN H=21.1 无灯 无弹 带滤波器 十字脚			
DRAWN:	DATE:	PART. NO.	SCALE	REV.	
L. YAN	2020-08-10	R-RJ45R08P-D007	Free	A0	KYD0
		UNIT	mm	REV.	
		FILE NO.	Ckmtw-RJ45-0267		

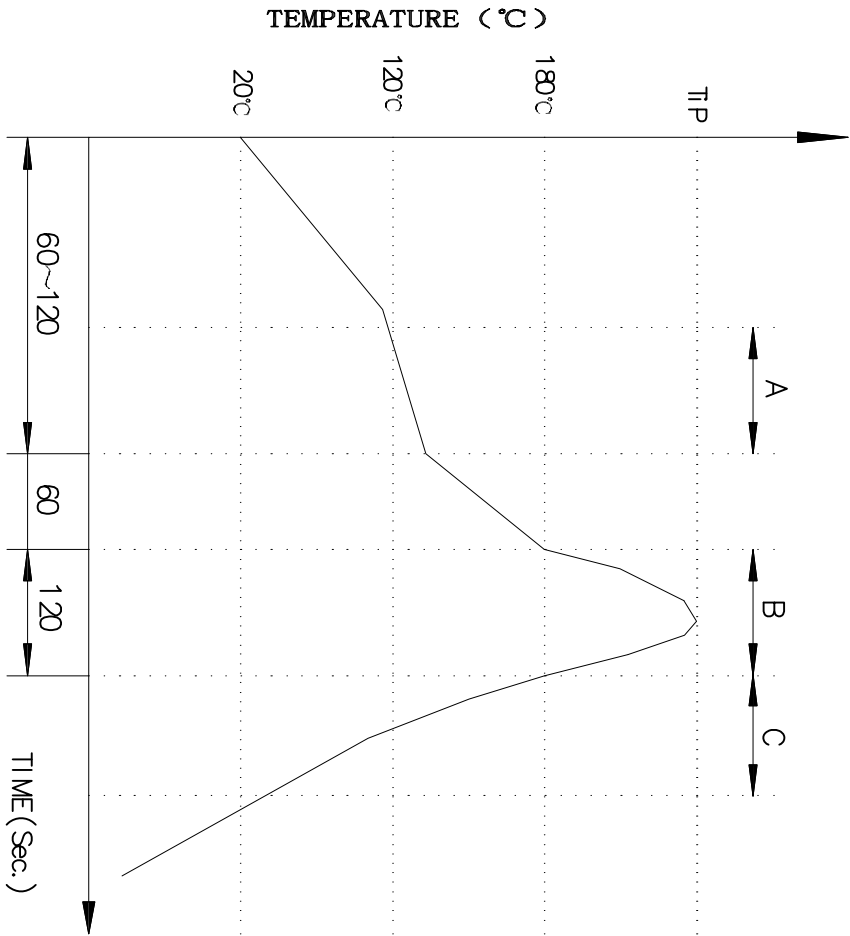


**Electrical:**

1. Turn ratio: 1~2: J1~J2=1 CT:1 CT(±2%).  
3~6: J3~J6=1 CT:1 CT(±2%).
2. OCL: 350uH Min at 100KHz 100mV 8mA DC.
3. Insertion Loss: -1.0 dB Max 1~100 MHz.
4. Return loss: -20dB Min 1~10MHz;  
-16dB Min 10~30MHz;  
-12dB Min 30~60MHz;  
-10dB Min 60~80MHz.
5. Cross talk: -40dB Min 1~30MHz;  
-35dB Min 30~60MHz;  
-30dB Min 60~100MHz;
6. CMR: -30dB Min 1~100MHz;
7. Hi-Pot: 1500V AC & 2250V DC  
6S 1mA PRI TO SEC

APPROVED:	DATE:	深圳市灿科盟实业有限公司 CHANKLEMENT INDUSTRYCO., LTD			
CHECKED:	DATE:				
DRAWN:	DATE:	TITLE:	百兆网口 RJ45-10P/8C TAB-DOWN H=21.1 无弹 带滤波器 十字脚		
L. YAN	2020-08-10	PART. NO.	R-RJ45R08P-D007	UNIT	mm
		SCALE	Free	REV.	A0
		FILE NO.	Ckmtw-RJ45-0267	REV.	KYD0

# PROFILE OF WAVE SOLDER



A. Preheating B. Soldering C. Gradual Cooling  
 Tip temperature:  $260 \pm 5^{\circ}\text{C}$ .  
 Tip temperature time: 5 Sec Max.  
 Tip melting point of Sn96.5/Ag3.5:  $217^{\circ}\text{C}$ .

Remarks: after wave soldering, the plastic components of the product which under the PCB will be slightly melted, but it won't affect its function.

APPROVED:	DATE:	<b>C</b> 深圳市灿科盟实业有限公司 CHANKLEMENT INDUSTRY CO., LTD
CHECKED:	DATE:	
DRAWN:	DATE:	TITLE: 百米网口 RJ45-10P/8C TAB-DOWN H=21.1 无灯 无弹 带滤波器 十字脚 PART. NO. R-RJ45R08P-D007 UNIT mm SCALE Free FILE NO. Ckmtw-RJ45-0267 REV. A0 KYD0
L. YAN	2020-08-10	